



Connectivity Solutions

Complete or Partial Part #,
Competitor Part # or
Keywords.

Wireless

CATV

Audio & Video

Networking &
Structured Wiring

Military & Aerospace

Test & Measurement

Home

Member Access

Products

Connectors

Microwave Components

CATV Components

Coaxial Cable Assemblies

Structured Cabling & Connectors

Tools & Accessories

Customer Service

Request For Quote

Representatives

Distributors

Literature/Catalog Request

What's New

About Our Brands

Legal Terms

© 2007 All Rights Reserved

Product Detail



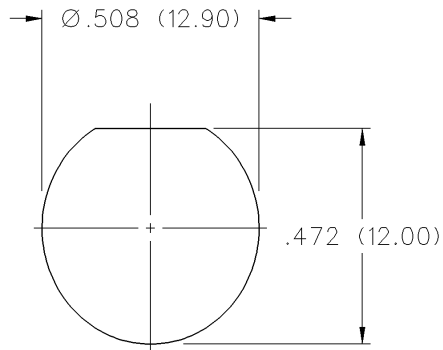
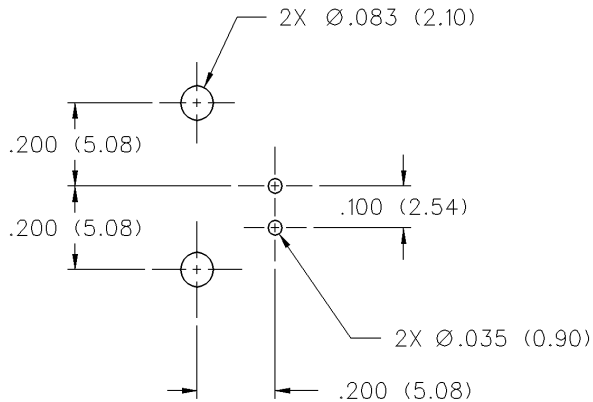
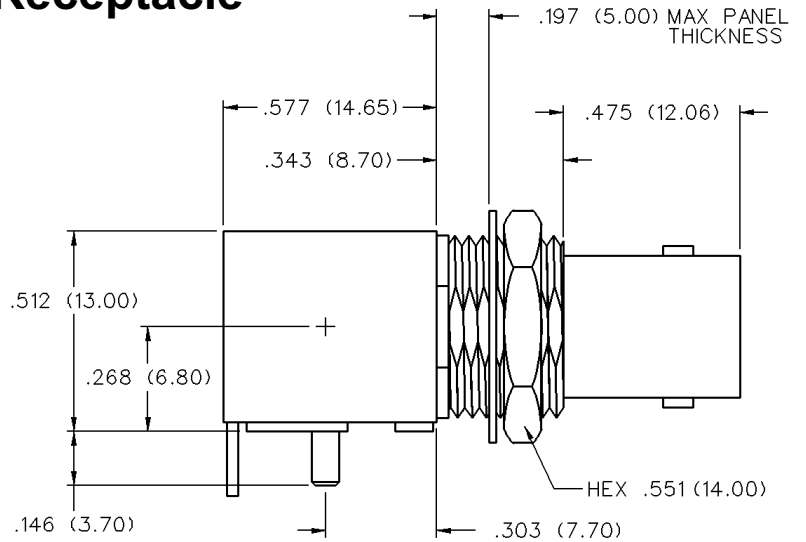
| | |
|------------------------|--|
| Product Line: | Cambridge (Click for customer service) |
| Part Number: | CP-BNCPC-012 |
| Description: | 75 Ohm BNC Right Angle PC Mount Bulkhead Jack Receptacle - Shielded, Low Profile |
| Product Family: | CONNECTORS & ADAPTERS_F STYLE_PCB & CHASSIS MOUNT |
| Body Style: | Right Angle |
| Color / Finish: | Nickel |
| Connector A: | BNC |
| Frequency: | 2 GHz |
| Genders: | Female |
| Leg Length: | 0.146 (3.70) |
| Ohm: | 75 |
| Product Type: | PC Mount |
| RoHS Compliant: | Yes |

20070523-1523

BNC 75 Ohm Right Angle Bulkhead Jack Receptacle - Shielded, Low Profile



CP-BNCPC-012



75 Ohm Commercial BNC Connectors



INCHES (MILLIMETERS)
CUSTOMER DRAWINGS AVAILABLE UPON REQUEST

The BNC series connector is a commercial quality product that intermates with all standard double bayonet stud BNC designs. All contacts are captivated for ruggedness. The 50 ohm and 75 ohm interfaces are intermateable and provide quick, reliable connections for instrumentation, medical and LAN applications.

Specifications*

75 Ohm BNC

Electrical Characteristics

Impedance: 75 Ohm nominal

Frequency range: 0-2 GHz

Working voltage: 500 volts RMS at sea level

Dielectric withstanding voltage: 1500 volts RMS at sea level

Corona level: 375 volts minimum at 70,000 feet

Contact resistance: Outer - 0.2 milliohms maximum

Center - 2.1 milliohms maximum

Insulation resistance: 5000 megohms minimum

Environmental Characteristics

Recommended temperature range: -55°C to +85°C

Moisture resistance: MIL-STD-202

Mechanical Characteristics

Durability: 500 cycles

Force to engage/disengage: 3 lbs. maximum

Cable retention: 20 lbs., RG-59 C/U cable

Materials

Body: Zinc or brass

Contact: Brass or beryllium copper

Spring Washer: Beryllium copper

Crimp sleeve: Brass

Insulator: TPX

Plating: Body - Nickel (except where noted)

Crimp sleeve - Nickel

Contact - Nickel/Gold